



TILITE
OPTIONS

FRONT WHEELS

- ❶ **FW2** 3"x.75" Light-Up Micro-Caster
- ❷ **FW24** 3"x1.5" LiteSpeed Billet Aluminum Wheel w/Soft Roll Tire- Silver Hub OR Black Hub
- ❸ **FW25** 4"x.75" LiteSpeed Billet Aluminum Wheel w/Poly Tire - Silver Hub OR Black Hub
- ❹ **FW27** 4"x1.5" LiteSpeed Billet Aluminum Wheel w/Soft Roll Tire - Silver Hub OR Black Hub
- ❺ **FW6** 5"x1" Plastic Wheel w/Poly Tire
- ❻ **FW30** 5"x1.5" LiteSpeed Billet Aluminum Wheel w/Soft Roll Tire - Silver Hub OR Black Hub
- ❼ **FW28** 5"x1.5" LiteSpeed Plastic Wheel w/Soft Roll Tire
- ❽ **FW33** 6"x1.5" LiteSpeed Billet Aluminum Wheel w/Soft Roll Tire - Silver Hub OR Black Hub

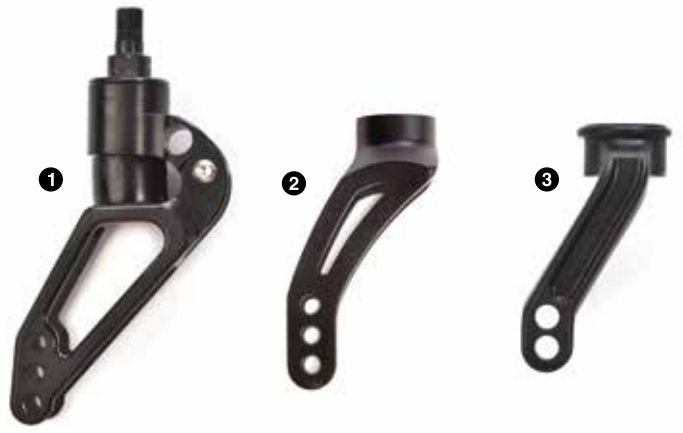
Additional Front Wheel Options Not Shown

- FW1** 3"x.75" Micro-Caster
- FW14** 4"x.75" Plastic Wheel w/Poly Tire
- FW3** 4"x.75" Light-Up Micro-Caster
- FW26** 4"x1.5" LiteSpeed Plastic Wheel w/Soft Roll Tire
- FW29** 5"x.75" LiteSpeed Billet Aluminum Wheel w/Poly Tire - Silver Hub OR Black Hub
- FW9** 6"x1" Plastic Wheel w/Poly Tire
- FW34** 6"x1" LiteSpeed Billet Aluminum Wheel w/Poly Tire - Silver Hub OR Black Hub
- FW31** 6"x1.25" LiteSpeed Billet Aluminum Wheel w/Pneumatic Tire - Silver Hub OR Black Hub
- FW32** 6"x1.5" LiteSpeed Plastic Wheel w/Soft Roll Tire



FRONT FORKS

- ❶ **FRG1** Suspension Fork
- ❷ **FK1** TiLite Standard Fork
- ❸ **FK2** TiLite Slipstream Single-Sided Fork



AXLES

- ❶ **AXL1** Stainless Quick Release
 - ❷ **AXL3** Quad Release
- Additional Axles Options Not Shown**
AXL2 Titanium Quick Release



REAR WHEELS

REAR WHEELS BY OUT-FRONT®

- ❶ RW14 SHADOW
- ❷ RW13 TWIN-STAR Exchange

ADDITIONAL REAR WHEELS

- ❸ RW15 Topolino CarbonCore
- ❹ RW7 Spinergy SPOX
- ❺ RW8 Spinergy LX
- ❻ RW11 Mags



Available in 20"(451), 22"(501), 24"(540), 25"(559) and 26"(590) sizes.



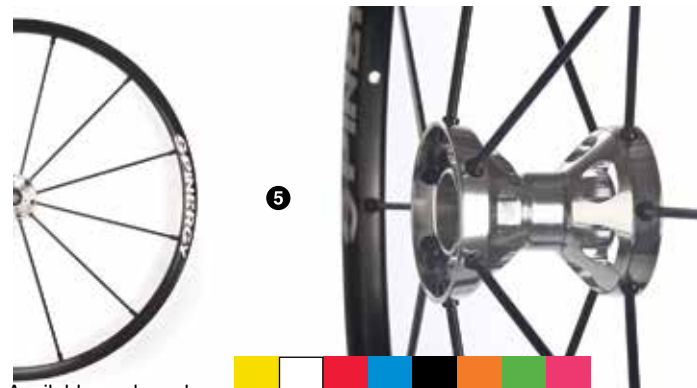
Available in 24"(540) and 25"(559) sizes.



Available in 24"(540) and 25"(559) sizes.



Available spoke colors
Available in 22"(501), 24"(540), 25"(559) and 26"(590) sizes.



Available spoke colors
Available in 22"(501), 24"(540), 25"(559) and 26"(590) sizes.



Available in 22"(501) and 24"(540) sizes.

REAR TIRES

PNEUMATIC REAR TIRES

- ❶ RTR1 Treaded 22"(501), 24"(540) and 26"(590)
- ❷ RTR3 Primo Treaded 25"(559)
- ❸ RTR4 Primo 20"(451), 22"(501), 24"(540), 25"(559) and 26"(590)
- ❹ RTR16 Kenda® Grey High Pressure 20"(451)
- ❺ RTR5 Kenda® High Pressure 24"(540), 25"(559) and 26"(590)
- ❻ RTR6 Grey Knobby 24"(540)
- ❼ RTR7 Black Knobby 26"(590)
- ❽ RTR8 Schwalbe® Marathon Plus Evolution 24"(540), 25"(559) and 26"(590)
- ❾ RTR9 Schwalbe® Ultremo ZX 24"(540) and 25"(559)



❶ ❷ ❸

SOLID REAR TIRES

- ❿ RTR10 Street Tread 20"(451)
- ⓫ RTR11 Pyramid 22"(501)
- ⓬ RTR13 Herringbone Tread 24"(540) and 25"(559)
- ⓭ RTR15 Treaded 24"(540) and 25"(559)

Available Colors



❹ ❺ ❻ ❼ ❽ ❾



❿ ⓫ ⓬ ⓭

HANDRIMS

HANDRIMS BY OUT-FRONT®

- ❶ RIM1 Aluminum – Silver Anodized
- ❷ Titanium - RIM12 Satin (shown) or RIM13 Polished Finish
- ❸ RIM20 Q-Grip (Exclusive High-Friction, Anti-Slip Coating)
- ❹ RIM14 The Natural-Fit® Standard Grip (Original, Larger Profile)
- ❺ RIM18 The Natural-Fit® LT Super Grip (Reduced Weight, Smaller Profile)
- ❽ RIM10 The Surge (All-In-One Oval with Gription™ Strip, Larger Profile)
- ❾ RIM11 The Surge LT (All-In-One Oval with Gription™ Strip, Smaller Profile)

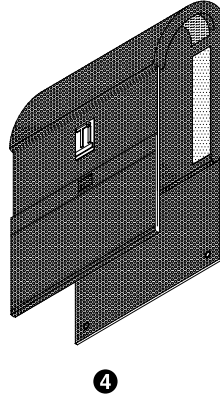
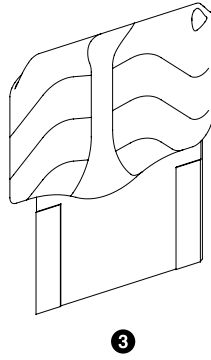
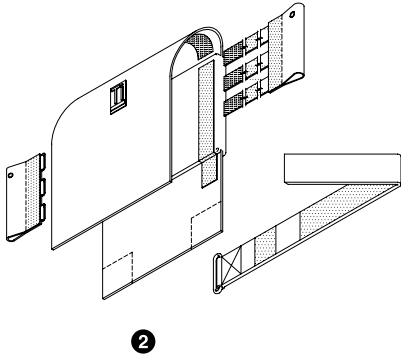
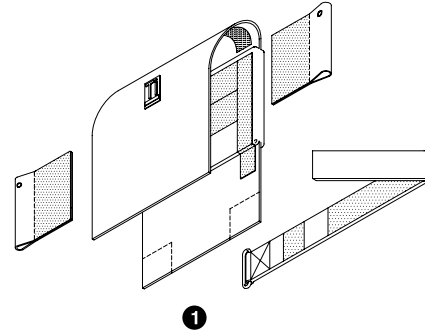
ADDITIONAL HANDRIMS

- ❻ RIM9 Spinergy FlexRim
- ❼ RIM5 Plastic Coated
- ❿ RIM6 Projections - 8 Vertical Projections



BACK UPHOLSTERY

- 1 BUP2 Velcro Adjustable
- 2 BUP3 Tension Adjustable by Straps
- 3 BUP4 Ride Designs® Corbac™ Adjustable Contour Back Support
- 4 BUP5 AIR Breathable Upholstery
- 5 UPC3 Ultrasuede Backrest Stripe

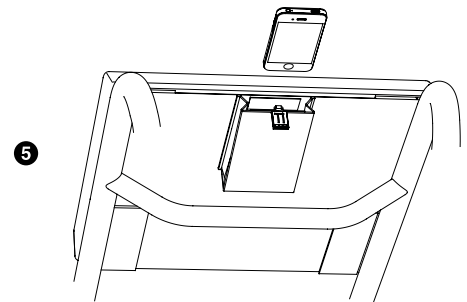
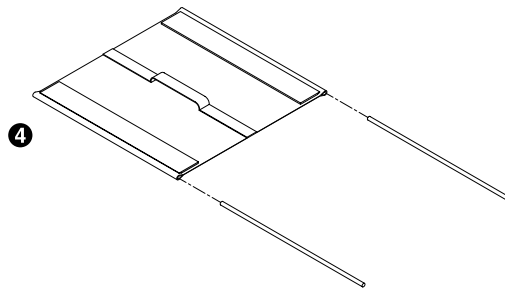
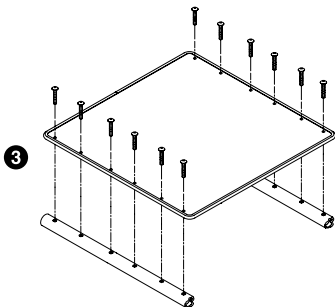
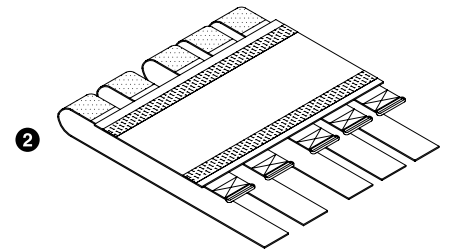
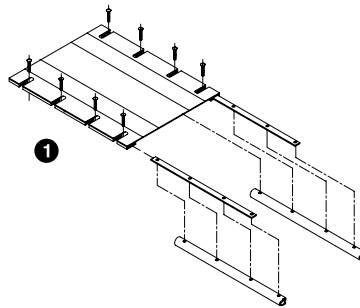


Available Colors

SEAT UPHOLSTERY

- 1 SUP1 Tension Adjustable Bolt On
- 2 SUP2 Tension Adjustable by Straps
- 3 SUP3 G10 Solid Seat
- 4 SUP4 Tension Adjustable for Folding Chairs
- 5 SUP7 iSleeve™ Under Seat Smartphone Holder

Additional Seat Upholstery Options Not Shown
 SUP5 Aluminum Solid Seat



WHEEL LOCKS

COMPOSITE WHEEL LOCKS BY OUT-FRONT®

- ❶ WLK7 O-F Push OR WLK8 O-F Pull (shown)
- ❷ WLK9 O-F Scissor
- ❸ WLK10 Extension Handles for O-F Push OR Pull

ADDITIONAL WHEEL LOCKS

- ❹ WLK5 Black Aluminum Scissor
- ❺ WLK3 Uni-Lock All-in-One Push OR Pull



❶



❷



❸



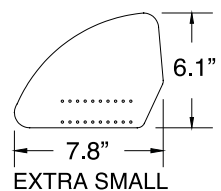
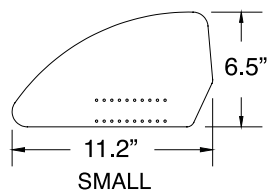
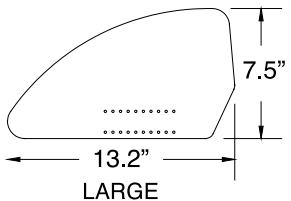
❹



❺

SIDE GUARDS

- ❶ SDG7 Carbon Fiber Rigid Removable
- ❷ SDG8 Carbon Fiber Quad Removable w/Hole
- ❸ SDG9 Carbon Fiber Fold Down Rigid
- ❹ SDG12 Carbon Fiber Fendered Removable
- ❺ SDG6 Aluminum Fendered Adjustable



Additional Side Guards Options Not Shown

- SDG1 Cloth
- SDG2 Aluminum Rigid Removable
- SDG3 Aluminum Quad Removable w/Hole
- SDG4 Aluminum Fold Down Rigid
- SDG5 Aluminum Fixed
- SDG10 Carbon Fiber Fixed
- SDG11 Carbon Fiber Fendered Fixed



❶



❷



❸



❹



❺

ARMRESTS

- ① **ARM1** Swing Away Tubular
- ② **ARM4** Swing Away - Flip Back Tubular
- ③ **ARM2** Removable Height Adjustable Desk Arm with Rigid Side Guard
- ④ **ARM3** Removable Height Adjustable Desk Arm with Rigid Side Guard and Transfer Loop

Available on all Armrests

ARM5 Covered in Black Ultrasuede



ANTI-TIPS

- ① **TIP2** User Friendly Rear Flip-up
- ② **TIP5** Center Mount Swivel Caster

Additional Anti-Tips Options Not Shown

TIP1 Rear Aluminum - Black

TIP3 Titanium with Swivel Caster

TIP4 Quick Release Titanium with Swivel Caster

TIP6 Center Mount Non-Swivel Caster



①



②

FOOTRESTS

RIGID CHAIR FOOTRESTS

- ❶ FTR3 Angle Adjustable Footrest
- ❷ FTR1 Titanium Footrest w/Flat ABS Cover
- ❸ FTR2 Titanium Open Loop Footrest
- ❹ FTR12 Titanium Flip-Back Footrest
- ❺ FTR27 Flip-Back Depth & Angle Adjustable High Mount Footrest

FOLDING CHAIR FOOTRESTS

- ❻ FTR5 Flip-up Footrest
- ❼ FTR6 1-Piece Flip-up Footrest
- ❽ FTR7 1-Piece, Over-Center Folding Footrest
- ❾ FTA5 Elevating Leg Rest w/FTR17 Depth Adjustable Flip-up Footrest

NOTE: For a complete list of Footrest options see TiLite's order forms.



❶



❷



❸



❹



❺



❻



❼



❽



❾

PUSH HANDLES

- 1 SB20 Bolt-On Center Mount Height-Adjustable Push Handle
- 2 SB6 Integrated Push Handles
- 3 SB7 Integrated Fold-Down Push Handles
- 4 SB8 Bolt-On Push Handles

Additional Push Handles Options Not Shown
 SB9 Bolt-On Height-Adjustable Push Handles



1



2



3



4

ADDITIONAL OPTIONS

- 1 SB5 Carbon Fiber Tishaft™ Back Release Bar - Also available in SB4 Titanium and SB3 Aluminum
- 2 CBR6 Carbon Fiber Camber Tube - Also available in CBR3 Titanium and CBR1 Aluminum
- 3 MPCT2 Neoprene Impact Guards with Ultrasuede Stripe
- 4 LUG1 Luggage Carriers



1



2



3



4



Available Colors

SPOZEE.COM SPOKE GUARDS

- 1 WGRD2 Scooter Frog
- 2 WGRD3 Color Spectrum
- 3 WGRD4 Purple Party



NOTES

NOTE: Not all options are available on all models. See TiLite’s order forms for availability and pricing.

Prices, standard features, options and accessories are subject to change without notice. All rights reserved. Trademarks are identified by symbols™ and ®. TiLite, the TiLite logo, Ti, the Ti logo, The Titanium Experts, TiShaft and The Ultimate Ride are registered trademarks of TiSport, LLC. Adobe®, Acrobat®, Acrobat Professional® and Reader® are registered trademarks of Adobe Systems Inc. Bodypoint® is a registered trademark of Bodypoint Inc. Frog Legs® is a registered trademark of Frog Legs, Inc. Kenda® is a registered trademark of Kenda Rubber Industrial Co Ltd. Ride Designs® and Corbac® are registered trademark of Aspen Seating, LLC. ROHO®, Low Profile® and Quadro Select® are registered trademarks of ROHO Inc. Schwalbe® is a registered trademark of Ralf Bohle GmbH. Supracor®, Stimulite® and Corbee® are registered trademarks of Supracor, Inc. The Natural-Fit® is a registered trademark of Three Rivers Holdings, LLC. Varilite® is a registered trademark of Cascade Designs, Inc



TiLite | 2701 West Court Street, Pasco, WA, 99301 | 800.545.2266 | tilite.com